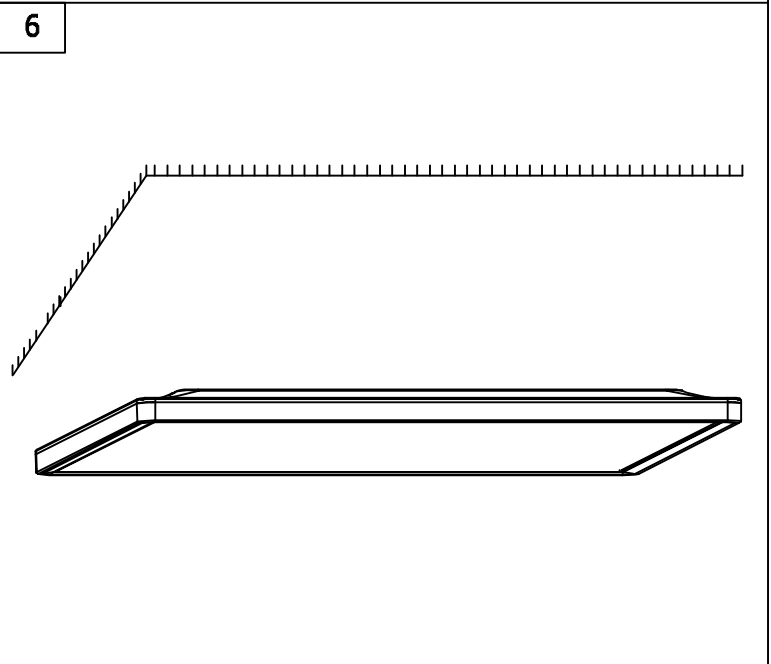
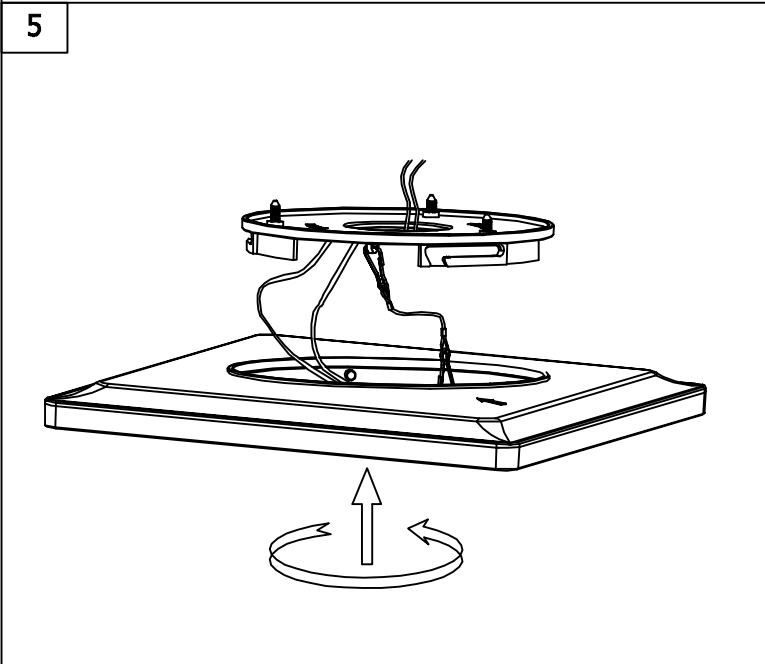
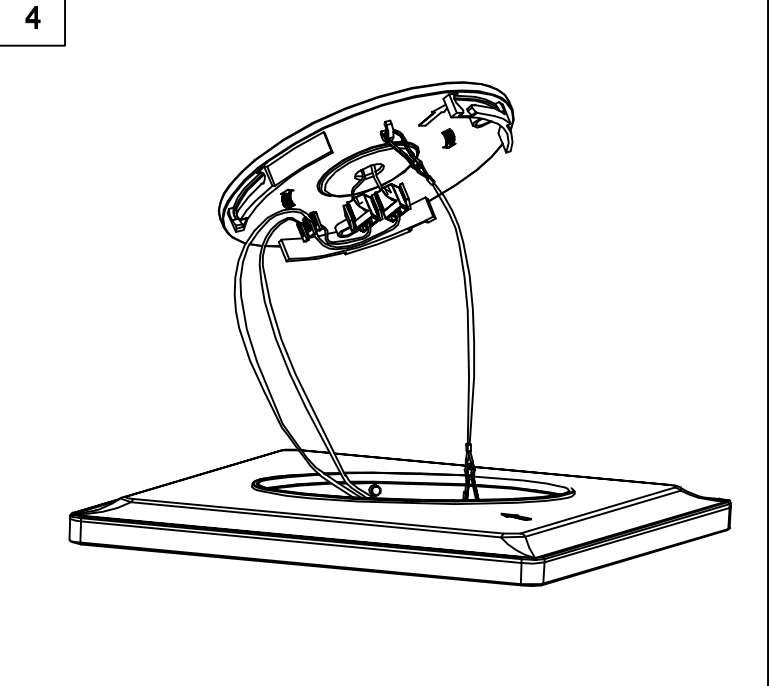
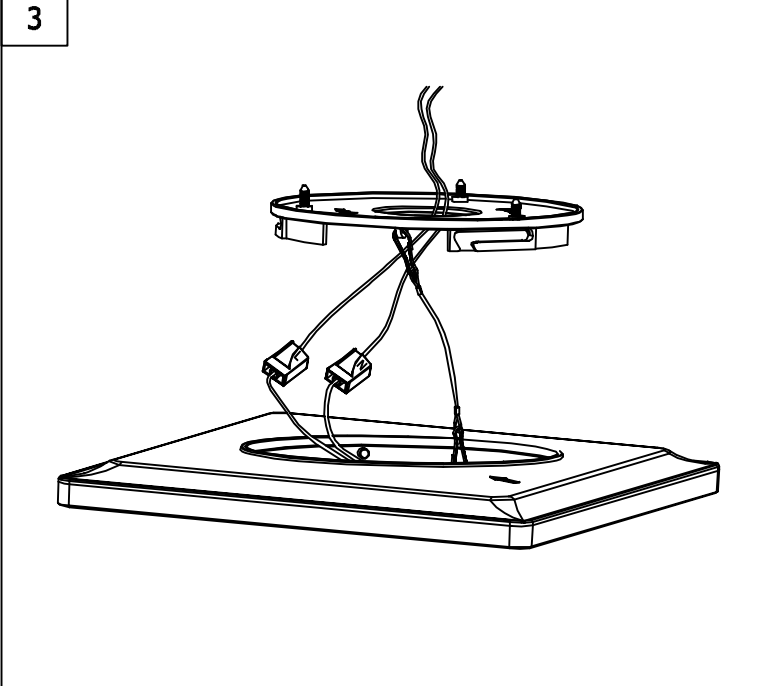
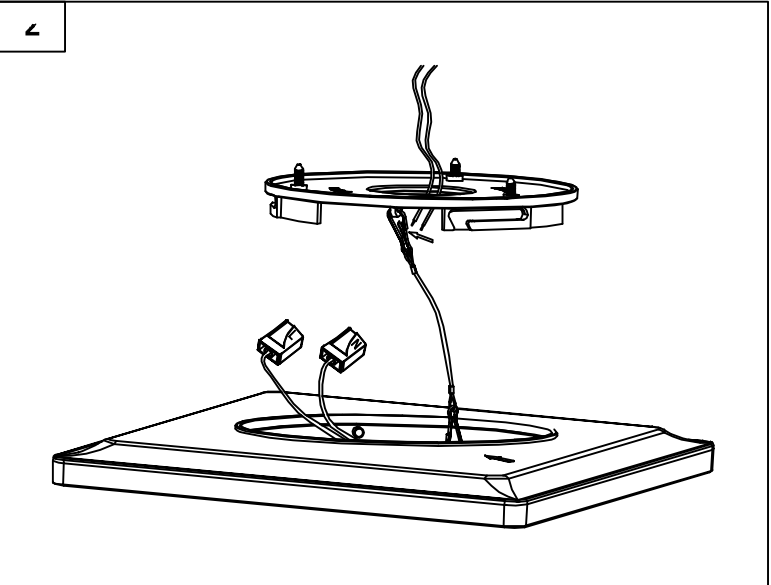
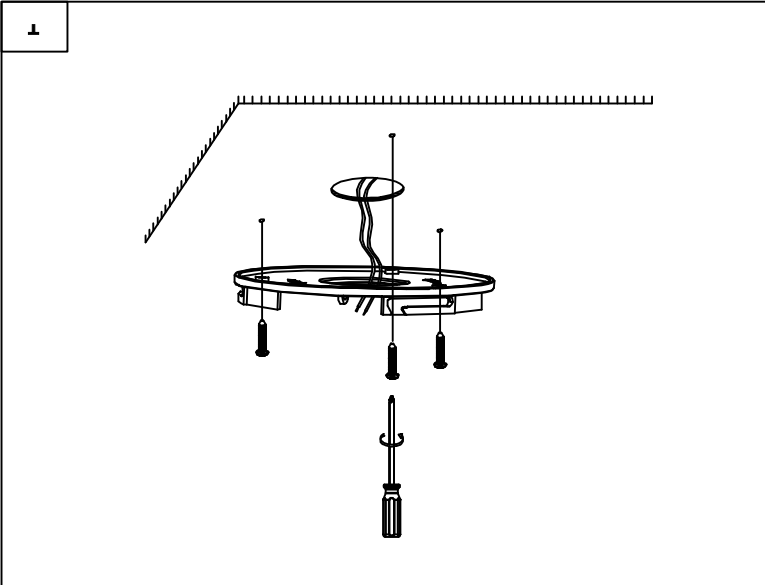


3429,3430 Installation Manual



Positioning diagram

